



**devil engineering and design**

0001-0002-NA-0.1.19.2.3.4.5.6.7-2PRBRK

## Assembly Manual

# 310mm 2-Piece Rear Brake Rotor Kit

To Suit Ferrari and Maserati





### Version

Design Version	0001-0002-NA-0.1.19.2.3.4.5.6.7-2PRBRK-a000-v000-TOP_LEVEL
Assembly Manual Version	v003

### Fitment Guide

The below models are supported fitment for 0001-0002-NA-0.1.19.2.3.4.5.6.7-2PRBRK:

Brand	Model	Year From	Year To	Cross-Reference
Ferrari	550 Barchetta	2000	2002	#191982
	550 Maranello	1996	2002	#171573
	575M Maranello	2002	2006	#179800
	Superamerica	2005	2006	
Maserati	3200 GT Assetto Corsa	2001	2002	#192996
	3200 GT Automatica	1999	2002	#387210351
	3200 GT	1998	2002	
	4200 Cambiocorsa Spyder	2001	2007	
	4200 Cambiocorsa	2001	2007	
	4200 GT Spyder	2001	2007	
	4200 GT	2001	2007	
	GranSport MC Victory	2006	2006	
	GranSport Spyder	2004	2007	
	GranSport	2004	2007	

### Product Description

Upgrade your braking performance with this precision-engineered 2-piece 310mm rear brake rotor kit, designed for a select range of Ferrari and Maserati models. Built with high-quality materials to ensure superior performance the kit feature two configurations, one for street use and one for track only. The rear hat is available in steel for street use, where the hand brake will see regular use, or is available in 6061-T6 where weight and performance is important. **NOTE: the track 6061-T6 requires a loose fitment of the handbrake. Allowing the handbrake to drag could cause the hat to warp or fail.**

This kit is bolted together, minimizing NVH (noise, vibration, harshness) over floating discs while improving performance over OEM parts. The two-piece configuration also provides cost-effective replacements—only the rotors need to be swapped, keeping the assembly reusable.

Ideal for high-performance street driving and track days, this kit is engineered for those who demand reliability under intense conditions.



## Assembly Manual

### Brake Pads

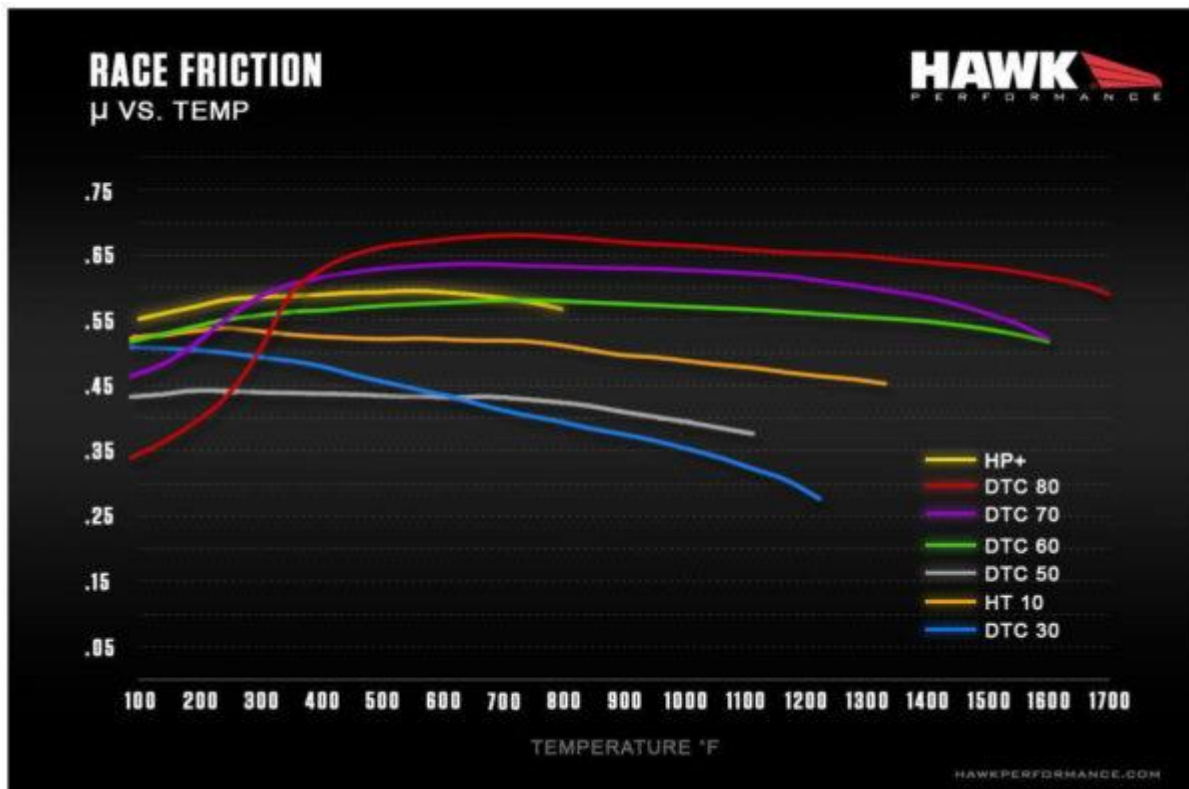
When upgrading your brake rotors, it's worth considering an upgrade to your brake pads as well. Hawk Performance offers a wide range of road and track-oriented brake pads that complement the performance of your new rotors.

For everyday driving, Hawk Performance Ceramic pads are a great option, known for their quiet operation, low dust, and reliable stopping power. They're well-suited for daily road use, providing a balance of performance and comfort.

If you're planning to take your car to the track, Hawk DTC range of pads offer high performance under extreme conditions, with excellent braking response and fade resistance at elevated temperatures.

While Devil Engineering and Design isn't affiliated with Hawk, their pads are a popular choice for pairing with performance rotors and replacing your pads when installing new rotors can help ensure optimal braking performance.

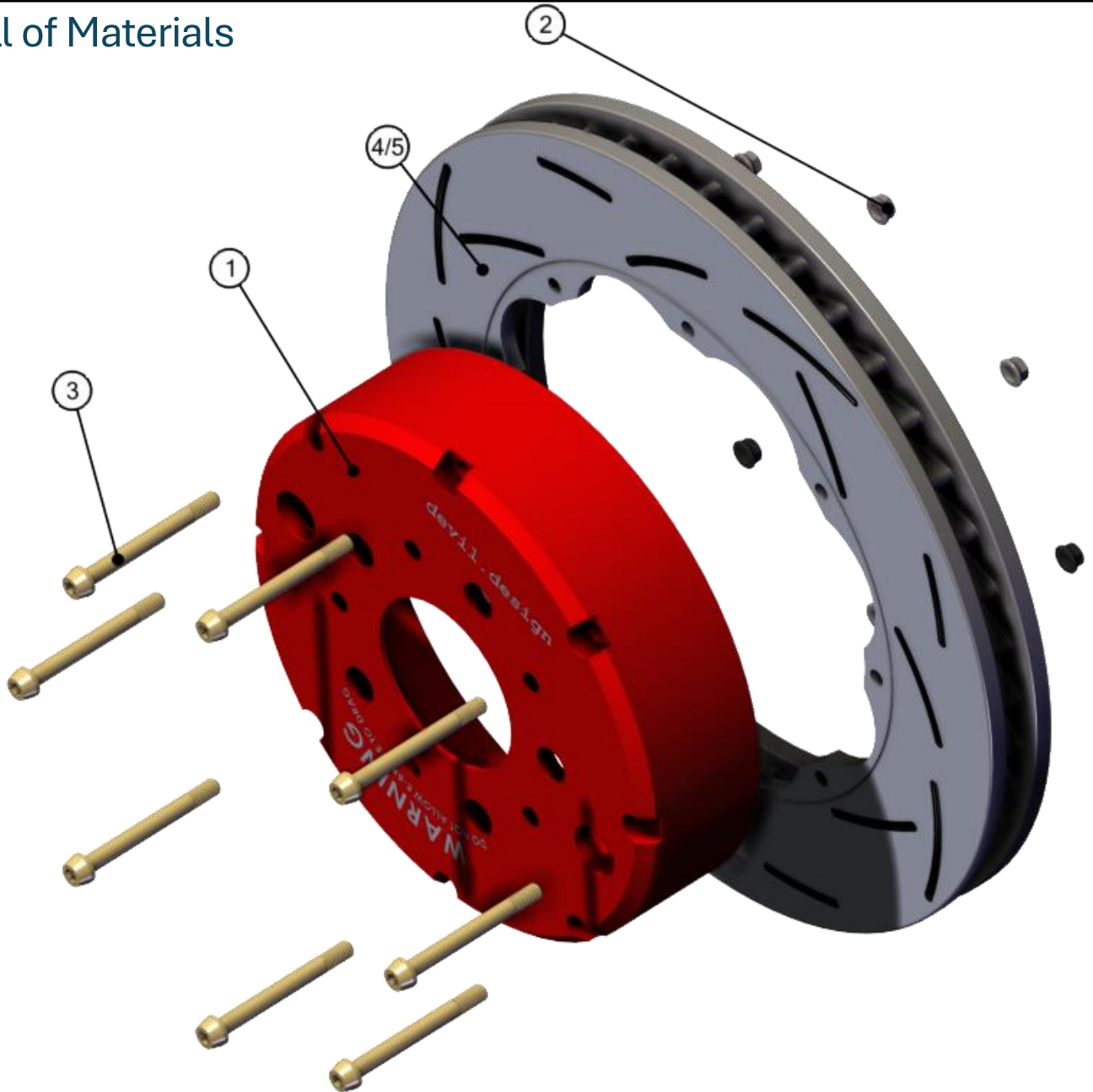
<i>Pad</i>	<i>Front Fitment</i>	<i>Rear Fitment</i>
<i>HAWK Performance Ceramic</i>	HB545Z.564	HB170Z.650
<i>HAWK DTC-60</i>	-	HB170G.650
<i>HAWK DTC-70</i>	HB545U.564	-





## Assembly Manual

### Bill of Materials



ITEM NO.	PART NUMBER	Qty. RHS	Qty. LHS	Manufacturer
1	0001-0002-NA-0.1.19.2.3.4.5.6.7-2PRBRK-p001-v000-c000-REAR_HAT -OR- 0001-0002-NA-0.1.19.2.3.4.5.6.7-2PRBRK-p001-v000-c001-REAR_HAT	1	1	Devil Performance Parts
2	MS20004-30	8	8	LFC
3	NAS1291C4	8	8	LFC
4	VDZ320	1	-	Brypar
5	VDZ320	-	1	Brypar



## Assembly Manual

### Assembly Guide

1. Clean the brake rotor and aluminium hat with a suitable brake cleaner.
2. Assemble the MS20004-30 bolts through the hat so that the bolt head is on the hat side as per Figure 2 Assembly Arrangement - Front View.

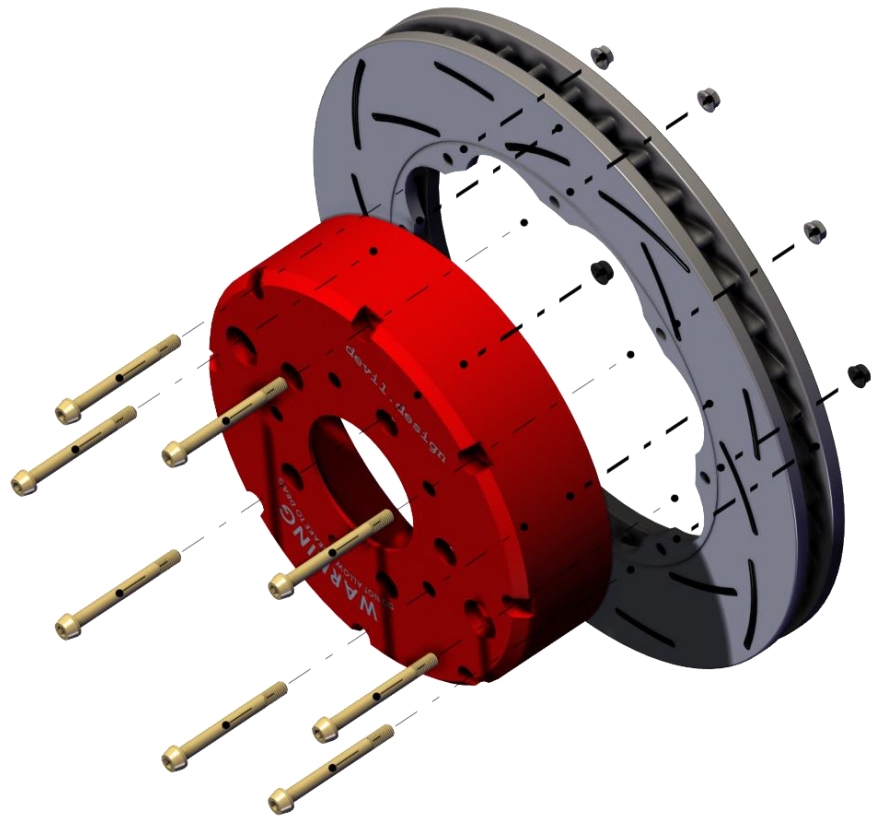


Figure 2 Assembly Arrangement - Front View

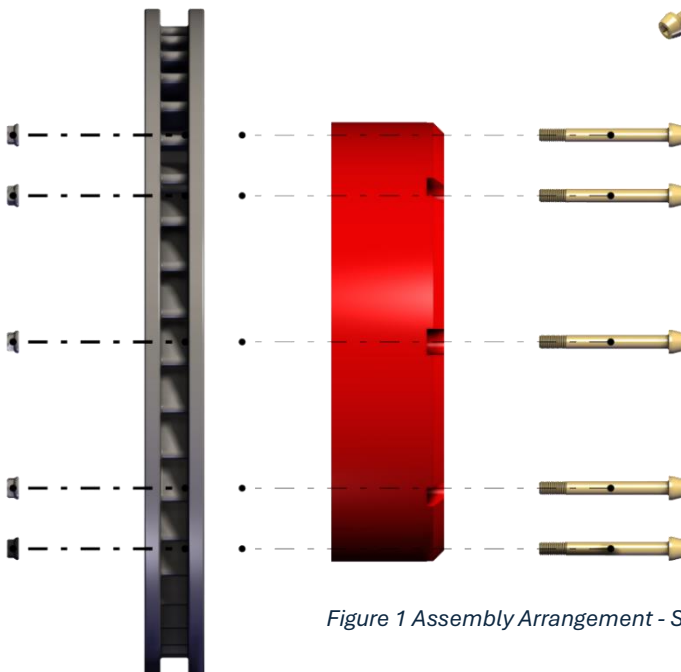


Figure 1 Assembly Arrangement - Side View





## Assembly Manual

3. Assemble the NAS1291C4 crimp nuts to the bolts **CAUTION NAS1291C4 are single use only. Do NOT reuse.**
4. Torque the nuts to 5Nm in a cross-star pattern per Figure 3 Tightening Guide.
5. Torque the nuts to 13Nm in a cross-star pattern per Figure 3 Tightening Guide. **CAUTION NAS1291C4 are single use only. If the bolts need to be undone or retorqued they MUST be replaced.**

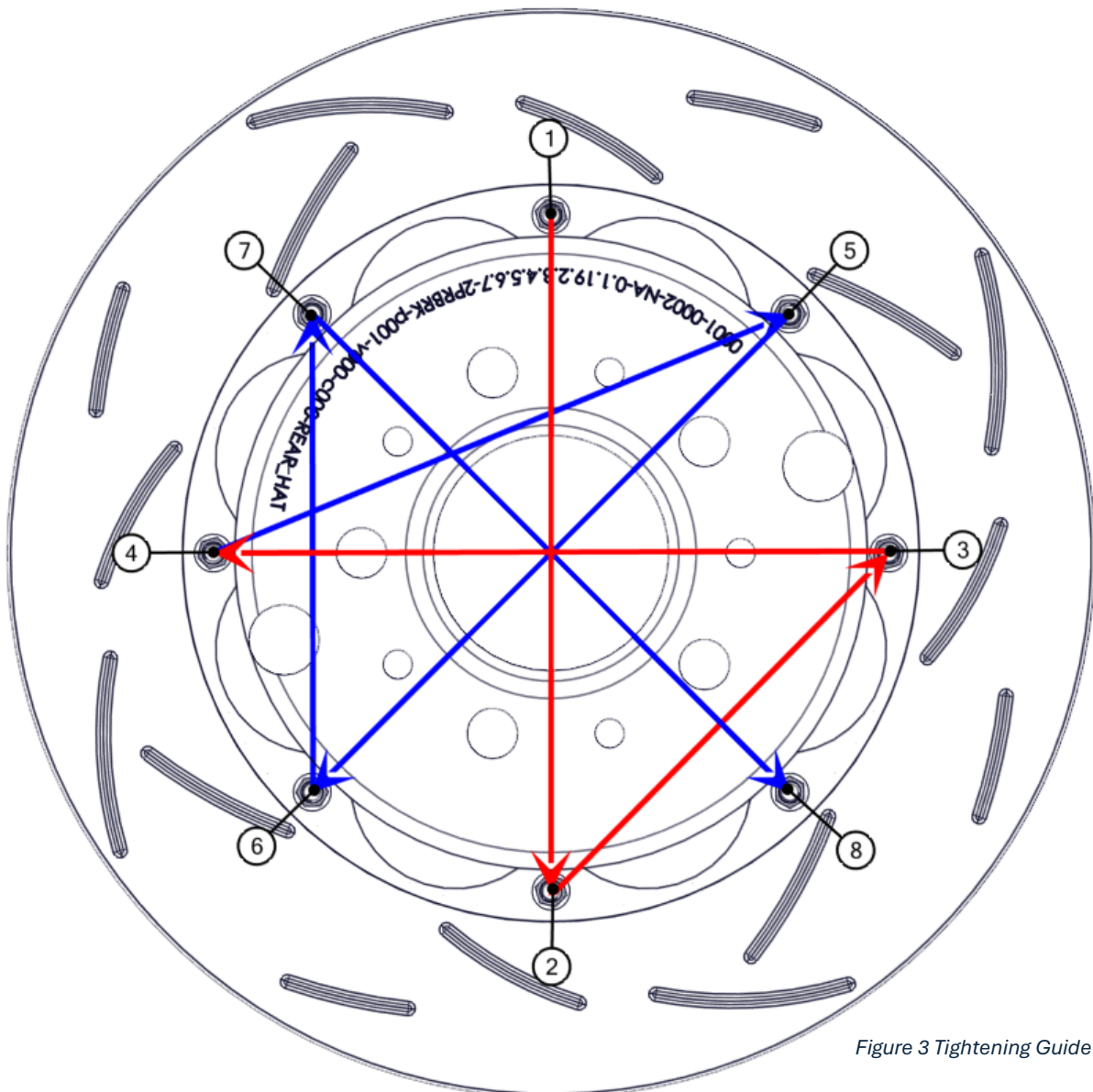


Figure 3 Tightening Guide

6. Witness mark both the bolts and nuts.
7. Regularly check bolted components for signs of loosening or backing out.
8. Check circular runout for max 0.05mm.
9. Thoroughly clean the rotor prior to use with an appropriate brake cleaner.



## Brypar

This kit uses Brypar rotors. More information can be found at the link: <https://www.brypar.com/>

## Liability Disclaimer

**IMPORTANT: THIS DISCLAIMER APPLIES TO ALL GOODS SOLD BY US ON OR AFTER 1 JANUARY 2016 AND REPLACES ANY PREVIOUS STATEMENTS EITHER WRITTEN OR ORAL IN RELATION TO ROAD LEGALITY OF SUCH GOODS.**

This statement ("Disclaimer") is provided by **Foundation Interstellar Pty Ltd ABN 77 661 971 893** operating as '**Devil Engineering and Design**' or '**Devil Performance Parts**' ("We, Us, Our, FI, DEAD or DPP").

### 1. Road Legality Responsibility

#### 1.1. Purchaser's Responsibility

While our products are engineered to meet high standards of performance and quality, **FI does not guarantee or represent that any part is legal for use on public roads in any specific jurisdiction.** It is the sole responsibility of the **purchaser** ("You") to ensure that the product complies with all applicable road regulations, vehicle standards, and safety laws in your location before installation or use.

#### 1.2. Vehicle Modifications and Insurance

Vehicle modifications, including the installation of aftermarket parts, may affect your vehicle's compliance with road laws and your insurance policy. It is **Your** responsibility to notify your insurance provider of any modifications to your vehicle. **FI accepts no liability** for any damage, loss, or legal ramifications arising from failure to notify your insurer, or from a vehicle being rendered illegal or uninsurable due to modifications using FI products.

#### 1.3. Local Laws and Compliance

Our products may be promoted for use in performance applications; however, **FI does not guarantee compliance** with safety, environmental, or road legality standards required in any country, state, or local jurisdiction. Laws and regulations vary widely across regions, and **FI takes no responsibility** for ensuring that the product is approved for road use in your area.

#### 1.4. Potential Void of Insurance or Road Legality

**FI assumes no responsibility** for any claim, damage, or loss related to the potential voiding of insurance, the violation of road safety laws, or the illegality of your vehicle after installation of FI products. **It is Your responsibility** to ensure that all modifications comply with applicable legal and insurance requirements.

### 2. Additional Terms for Motorsport Use

#### 2.1. Motorsport Applications

FI products used in motorsport or non-road applications are done so **at Your own risk.** Many of FI's products are promoted for use in motorsport environments; however, **FI does not warrant** that any part used in such applications will comply with road laws or remain insurable if later used on public roads. It is **Your responsibility** to ensure vehicle safety and legality when using products designed for high-performance or motorsport environments.

**THERE ARE NO GUARANTEES OR REPRESENTATIONS MADE BY FI BEYOND THOSE STATED HEREIN, INCLUDING GUARANTEES OF ROAD LEGALITY OR INSURANCE COVERAGE.**